

External grip and seal connection tool that uses collets to grip threads or part feature for high pressure.

**CONNECTS TO:**

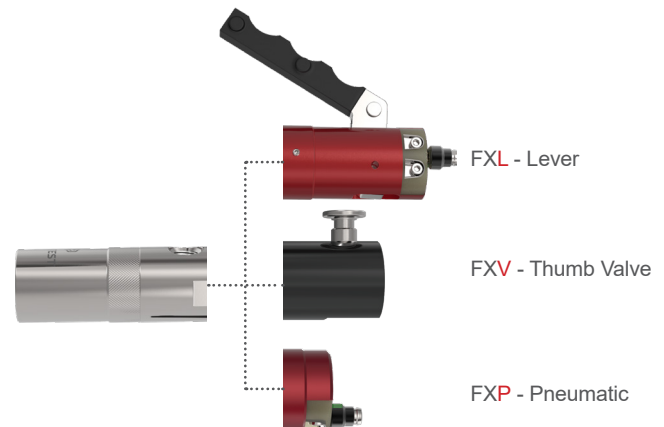


**SPECIFICATIONS**

Pressure Rating	Operating Temperatures	Materials of Construction
Vacuum to 5,000 psi (345 bar)	-40°F to +250°F (-40°C to +121°C)	Anodized Aluminum, Stainless Steel
Termination Port		Seal Material*
BSPP (G) or FNPT		Buna-N

\* Additional seal material types available, consult factory.

**ACTUATION METHOD**



- 1 SURE SEAL™ - Instant LED feedback verifies a good connection onto the threaded port.
- 2 Pressure assisted grip and proprietary design locks the connector securely to the test part under pressure
- 3 Instant threaded sealing connection up to 5000 psi without tape sealant or wrenches - significantly reduces process time
- 4 Stainless steel collets provide maximum grip with minimum distortion of the test piece
- 5 Self aligning connector requires no operator adjustment

**ICON™ TECHNOLOGY**



**ACCESSORIES**

Visit [fastestinc.com](http://fastestinc.com)



# ICON™

## INTELLIGENT CONNECTION TECHNOLOGY

FasTest's ICON™ adds sensing capabilities to our mechanical Sealing Connection Tools. ICON™ Tools include instant LED visual feedback and data output to improve sealing connection accuracy, maximize production efficiency, and optimize maintenance.

### ICON™ features:



#### SURE SEAL™

Instant LED feedback verifies a good connection prior to starting a test.

### System Overview:

CONNECTED

Green indication of a good connection.



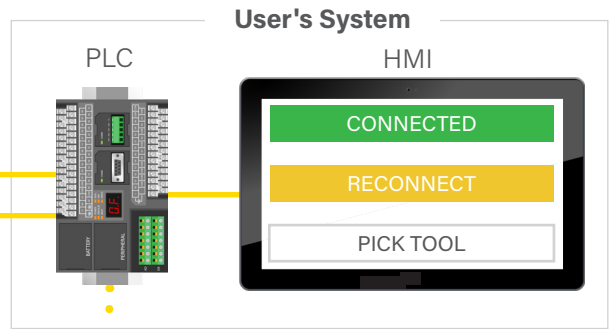
RECONNECT

Recognize a connection issue before causing a false failure.



PICK TOOL

Controllable LED signals operator to use specific tool.



Standalone install or tie into PLC



- Quickly setup ICON™ Tools
- Eliminate the need for PLC programming
- Can be powered from wall adapter (included) or from a PLC (24VDC)

**NOTE:** Solid State Relay and Analog output options available.

# FX / MODULAR DESIGN

## FASMATE FX MODULAR DESIGN

The innovative modular design of the connectors allows the technician to change the method of actuation by simply unscrewing the rear portion of the connector and replacing it with the desired form of actuation.

This feature provides flexibility to accommodate changes in the manufacturing processes, production increases and operator use preference. An additional advantage is the ease of field service for these components should they become damaged or require maintenance



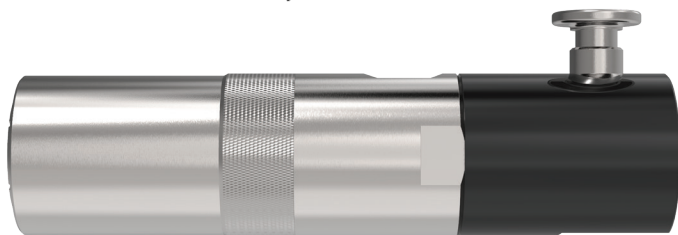
### LEVER

Simple, straight forward mechanical operation.



### THUMB VALVE

Easy, ergonomic thumb button. When depressed, allows insertion / removal of connector from port.



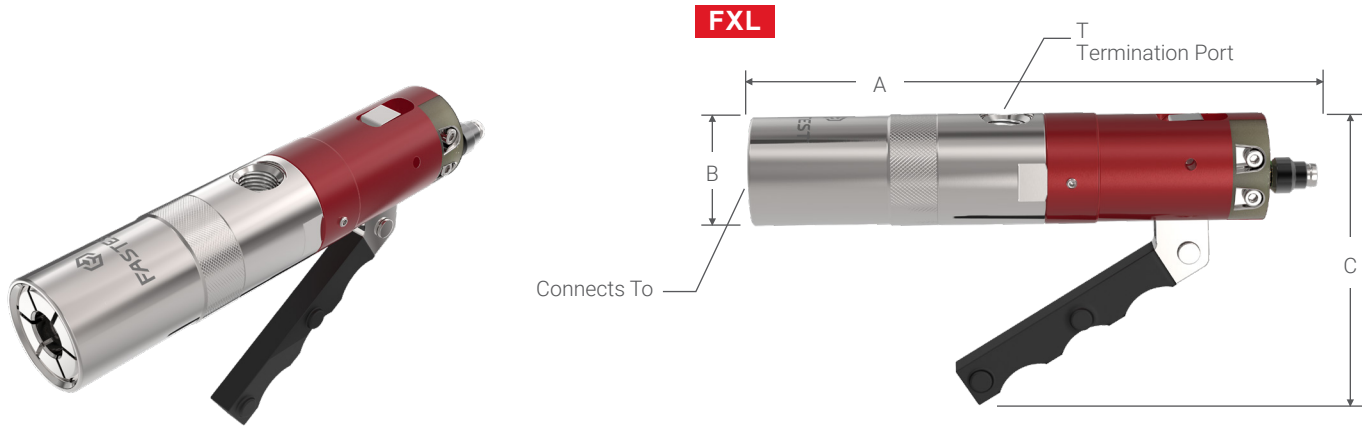
### PNEUMATIC

Requires a separate air valve. Desired for applications that require freedom of movement of technician's hands.



# FX / EXTERNAL SEALING CONNECTION TOOL / NPT

» External grip and seal connection tool that uses collets to grip threads or part feature for high pressure.



Ordering Information									
Connects To	Pressure Rating	FXL Part Number (Lever)	FXV Part Number (Thumb Valve)	FXP Part Number (Pneumatic Pilot)	Replacement Seals Pack (5)	Rebuild Kit (FXL)	Rebuild Kit (FXV / FXP)	ICON™ Repair Kit (FXL)	ICON™ Repair Kit (FXP)
<b>FasMate® FX   NPT</b>									
1/8 NPT	5,000 psi (345 bar)	FXL021041CV04[*]	FXV021041	FXP021041CV04[**]	S1105B70	RFXL021	RFX021	RFXL1ANA RFXL1SSR	RFX1ANA
1/4 NPT		FXL041041CV04[*]	FXV041041	FXP041041CV04[**]	S1108B70	RFXL041	RFX041		
3/8 NPT		FXL061061CV04[*]	FXV061061	FXP061061CV04[**]	S1110B70	RFXL061	RFX061		RFX2ANA
1/2 NPT		FXL081061CV04[*]	FXV081061	FXP081061CV04[**]	S1112B70	RFXL081	RFX081		

<b>FasMate® FX   NPT Thin Walled Pipe</b>									
3/8 NPT	750 psi (51 bar)	FXL061061PTCV04[*]	FXV061061PT	FXP061061PTCV04[**]	S1012B70	RFXL081PT	RFX081PT	RFXL1ANA RFXL1SSR	RFX2ANA
1/2 NPT		FXL081061PTCV04[*]	FXV081061PT	FXP081061PTCV04[**]	S1012B70	RFXL061	RFX061		

**Port Specifications:** NPT per SAE J476 or ANSI B1.20

### \*How To Add ICON™ to FXL

Signal Output	Part Number Suffix	Example
FXL Connector without ICON™	None	FXL021041
FXL with ICON™: Analog Output Signal	CV04ANA	FXL021041CV04ANA
FXL with ICON™: Solid State Relay	CV04SSR	FXL021041CV04SSR

### \*\*How To Add ICON™ to FXP

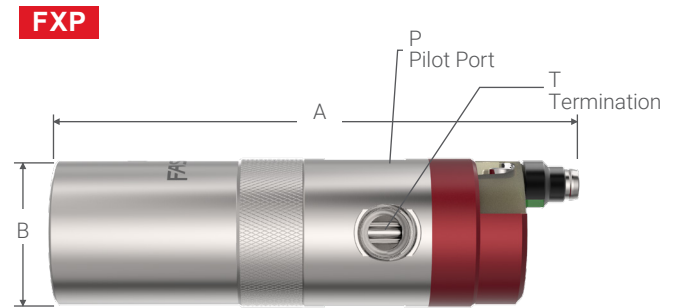
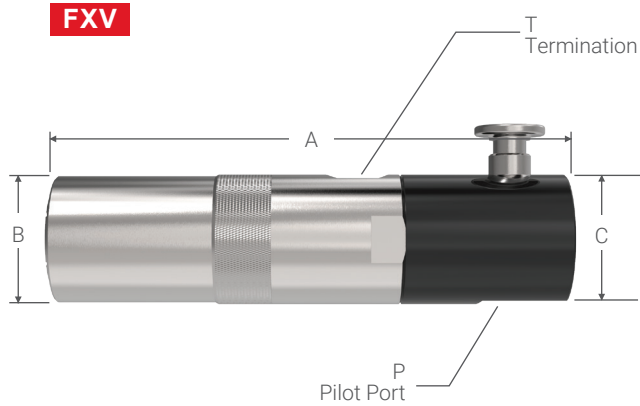
FXP Connector without ICON™	None	FXP021041
FXP with ICON™: Analog Output Signal	CV04ANA	FXP021041CV04ANA

# FX / EXTERNAL SEALING CONNECTION TOOL / NPT

» External grip and seal connection tool that uses collets to grip threads or part feature for high pressure.

## DIMENSIONS

inch (mm)

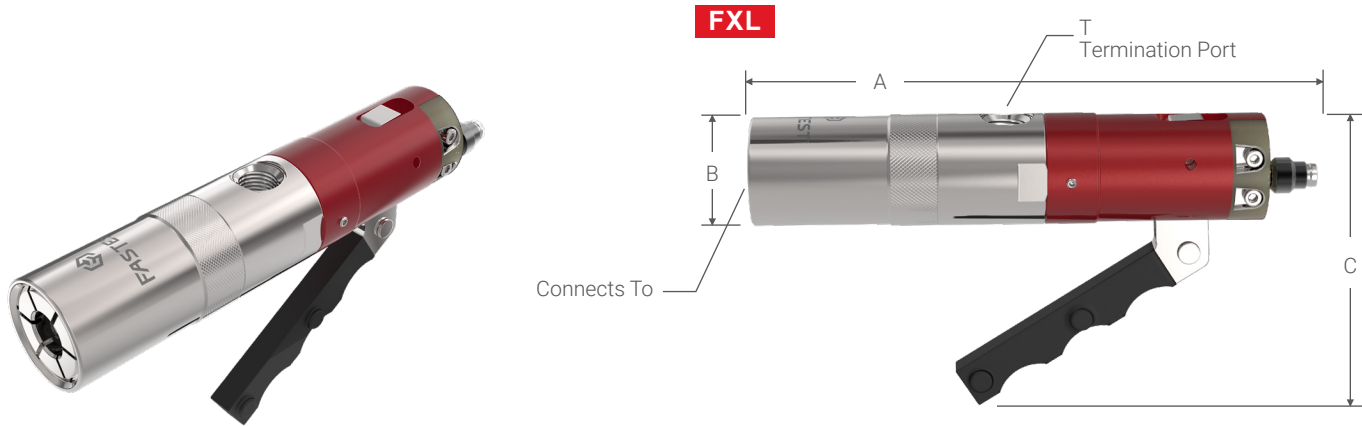


Dimensions								
A (FXL)	A (FXV)	A (FXP)	B	C (FXL)	C (FXV)	P (FXV)	P (FXP)	T
6.52 (165.6)	5.04 (128.0)	4.58 (116.3)	1.26 (32.0)	3.45 (87.6)	1.77 (45.0)	1/8 NPT	1/8 NPT	1/4 NPT
6.70 (170.1)	5.22 (132.6)	4.88 (123.9)	1.48 (37.5)	3.57 (90.6)	1.87 (47.5)			3/8 NPT

**Dimensions:** inch (mm)  
**Pressure Rating:** psi (bar)

# FX / EXTERNAL SEALING CONNECTION TOOL / BSPP (G) / BSPT

» External grip and seal connection tool that uses collets to grip threads or part feature for high pressure.



## Ordering Information

Connects To	Pressure Rating	FXL Part Number (Lever)	FXV Part Number (Thumb Valve)	FXP Part Number (Pneumatic Pilot)	Replacement Seals Pack (5)	Rebuild Kit (FXL)	Rebuild Kit (FXV / FXP)	ICON™ Repair Kit (FXL)	ICON™ Repair Kit (FXP)
<b>FasMate® FX   BSPP (G)</b>									
1/8 BSPP (G)	5,000 psi (345 bar)	FXL025041CV04[*]	FXV025041	FXP025041CV04[**]	S1105B70	RFXL009	RFX009	RFXL1ANA RFXL1SSR	RFX1ANA
1/4 BSPP (G)		FXL045041CV04[*]	FXV045041	FXP045041CV04[**]	S1108B70	RFXL009	RFX009		
3/8 BSPP (G)		FXL065061CV04[*]	FXV065061	FXP065061CV04[**]	S1110B70	RFXL06A	RFX06A		RFX2ANA
1/2 BSPP (G)		FXL085061CV04[*]	FXV085061	FXP085061CV04[**]	S1112B70	RFXL06A	RFX06A		
<b>FasMate® FX   BSPT</b>									
1/8 BSPT	5,000 psi (345 bar)	FXL025T041CV04[*]	FXV025T041	FXP025T041CV04[**]	S1105B70	RFXL009	RFX009	RFXL1ANA RFXL1SSR	RFX1ANA
1/4 BSPT		FXL045T041CV04[*]	FXV045T041	FXP045T041CV04[**]	S1108B70	RFXL009	RFX009		
3/8 BSPT		FXL065T061CV04[*]	FXV065T061	FXP065T061CV04[**]	S1110B70	RFXL06A	RFX06A		RFX2ANA
1/2 BSPT		FXL085T061CV04[*]	FXV085T061	FXP085T061CV04[**]	S1112B70	RFXL06A	RFX06A		

**Port Specifications:** BSPP (G) per ISO 228 or BS 2279; BSPT per ISO 7 or BS 21

### \*How To Add ICON™ to FXL

Signal Output	Part Number Suffix	Example
FXL Connector without ICON™	None	FXL025041
FXL with ICON™: Analog Output Signal	CV04ANA	FXL025041 <b>CV04ANA</b>
FXL with ICON™: Solid State Relay	CV04SSR	FXL025041 <b>CV04SSR</b>

### \*\*How To Add ICON™ to FXP

FXP Connector without ICON™	None	FXP025041
FXP with ICON™: Analog Output Signal	CV04ANA	FXP025041 <b>CV04ANA</b>

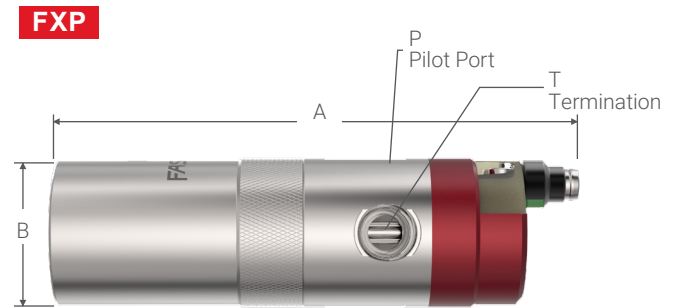
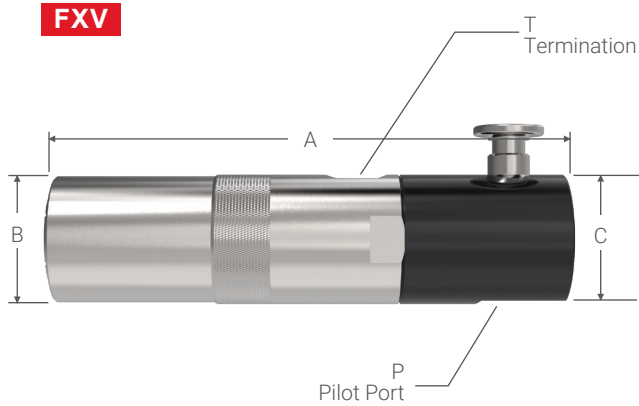


# FX / EXTERNAL SEALING CONNECTION TOOL / NPT

» External grip and seal connection tool that uses collets to grip threads or part feature for high pressure.

## DIMENSIONS

inch (mm)

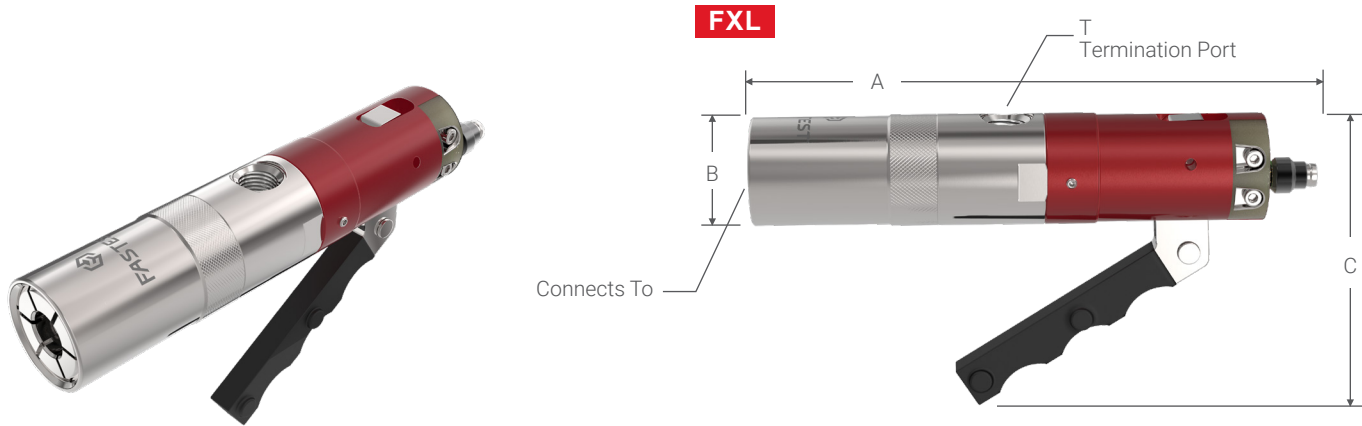


Dimensions								
A (FXL)	A (FXV)	A (FXP)	B	C (FXL)	C (FXV)	P (FXV)	P (FXP)	T
6.52 (165.6)	5.04 (128.0)	4.58 (116.3)	1.26 (32.0)	3.45 (87.6)	1.77 (45.0)	1/8 NPT	1/8 NPT	1/4 NPT
6.70 (170.1)	5.22 (132.6)	4.88 (123.9)	1.48 (37.5)	3.57 (90.6)	1.87 (47.5)			3/8 NPT

**Dimensions:** inch (mm)  
**Pressure Rating:** psi (bar)

# FX / EXTERNAL SEALING CONNECTION TOOL / SAE

» External grip and seal connection tool that uses collets to grip threads or part feature for high pressure.



## Ordering Information

Connects To	Pressure Rating	FXL Part Number (Lever)	FXV Part Number (Thumb Valve)	FXP Part Number (Pneumatic Pilot)	Replacement Seals Pack (5)	Rebuild Kit (FXL)	Rebuild Kit (FXV / FXP)	ICON™ Repair Kit (FXL)	ICON™ Repair Kit (FXP)
<b>FasMate® FX   SAE 37° Flare</b>									
-4 [7/16-20]	5,000 psi (345 bar)	FXL049041CV04[*]	FXV049041	FXP049041CV04[**]	S20700270B70	RFXL049	RFX049	RFXL1ANA RFXL1SSR	RFX1ANA  RFX2ANA
-5 [1/2-20]		FXL059041CV04[*]	FXV059041	FXP059041CV04[**]	S1108B70	RFXL059	RFX059		
-6 [9/16-18]		FXL069041CV04[*]	FXV069041	FXP069041CV04[**]	S1012B70	RFXL069	RFX069		
-8 [3/4-16]		FXL089061CV04[*]	FXV089061	FXP089061CV04[**]	S1012B70	RFXL089	RFX089		
<b>FasMate® FX   SAE 45° Flare</b>									
-4 [7/16-20]	5,000 psi (345 bar)	FXL04A041CV04[*]	FXV04A041	FXP04A041CV04[**]	S20700270B70	RFXL04A	RFX04A	RFXL1ANA RFXL1SSR	RFX1ANA  RFX2ANA
-5 [1/2-20]		FXL05A041CV04[*]	FXV05A041	FXP05A041CV04[**]	S1108B70	RFXL05A	RFX05A		
-6 [5/8-18]		FXL06A061CV04[*]	FXV06A061	FXP06A061CV04[**]	S1012B70	RFXL06A	RFX06A		
-8 [3/4-16]		FXL08A061CV04[*]	FXV08A061	FXP08A061CV04[**]	S1012B70	RFXL08A	RFX08A		
<b>FasMate® FX   SAE O-Ring Face Seal</b>									
-4 [9/16-18]	5,000 psi (345 bar)	FXL009041CV04[*]	FXV009041	FXP009041CV04[**]	S1012B70	RFXL009	RFX009	RFXL1ANA RFXL1SSR	RFX1ANA  RFX2ANA
-6 [11/16-16]		FXL011061CV04[*]	FXV011061	FXP011061CV04[**]		RFXL011	RFX011		
-8 [13/16-16]		FXL013061CV04[*]	FXV013061	FXP013061CV04[**]		RFXL013	RFX013		

**Port Specifications:** SAE 37° Flare per SAE J514 or ISO 12151-5; SAE 45° Flare per SAE J512 or J513; SAE O-Ring Face Seal per SAE J1453

### \*How To Add ICON™ to FXL

Signal Output	Part Number Suffix	Example
FXL Connector without ICON™	None	FXL049041
FXL with ICON™: Analog Output Signal	CV04ANA	FXL049041 <b>CV04ANA</b>
FXL with ICON™: Solid State Relay	CV04SSR	FXL049041 <b>CV04SSR</b>

### \*\*How To Add ICON™ to FXP

FXP Connector without ICON™	None	FXP049041
FXP with ICON™: Analog Output Signal	CV04ANA	FXP049041 <b>CV04ANA</b>

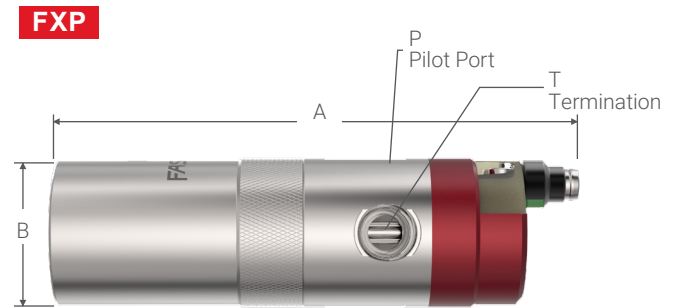
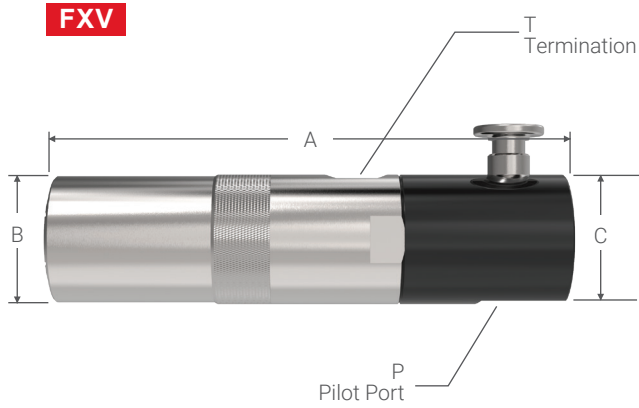


# FX / EXTERNAL SEALING CONNECTION TOOL / NPT

» External grip and seal connection tool that uses collets to grip threads or part feature for high pressure.

## DIMENSIONS

inch (mm)



Dimensions								
A (FXL)	A (FXV)	A (FXP)	B	C (FXL)	C (FXV)	P (FXV)	P (FXP)	T
6.52 (165.6)	5.04 (128.0)	4.58 (116.3)	1.26 (32.0)	3.45 (87.6)	1.77 (45.0)	1/8 NPT	1/8 NPT	1/4 NPT
6.70 (170.1)	5.22 (132.6)	4.88 (123.9)	1.48 (37.5)	3.57 (90.6)	1.87 (47.5)			3/8 NPT

**Dimensions:** inch (mm)  
**Pressure Rating:** psi (bar)